

## Mounts

For BEX Series  
Explosion-Proof Housings

### Features

- Powder Coated Aluminum Construction
- Stainless Steel Fasteners
- For Outdoor Use
- Adjustable Position

### Models:\*

BEX-WMT	Adjustable Head Wall Mount for BEX Series ExProof Housings
BEX-PM	Pole Mount Bracket for BEX-MT Series Mounts

\* Standard color is gray. Alternate and custom colors available. Contact the factory for details.

### Specifications:

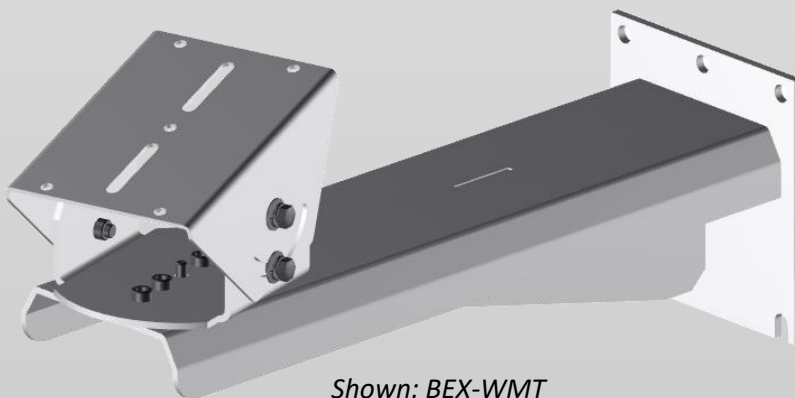
Construction	Aluminum with Stainless Steel Fasteners
Finish	Powder Coat Paint
Max Load	Housing/Sunshield plus 20 LBS(9.0kg)
Wall Mount Adjustment	180° Pan, 120° Tilt
Pole Mount	Pole diameters 3.0"-8.0" (77-203mm)

### Description

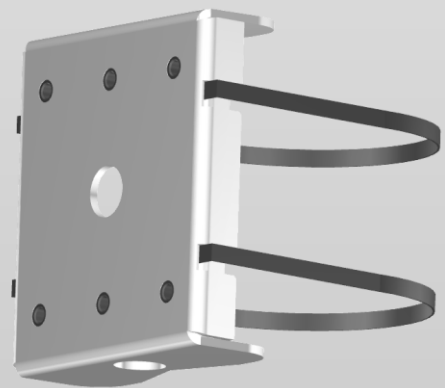
Each component of BEX series mounting equipment is designed to accommodate the weight of the corresponding housing and sunshield plus an additional weight of 20 LBS (9.0kg) of equipment installed inside the housing. Each wall mount can be adjusted 60° above and below the horizon and rotated through 180°. The pole mount is compatible with poles from 3-8" in diameter. These mounts are constructed of powder coated aluminum with stainless steel fasteners.



Shown: BEX-66205 Housing w/ BEX-SS-66205 Sunshield, BEX-WMT Wall Mount and BEX-PM Pole Mount



Shown: BEX-WMT



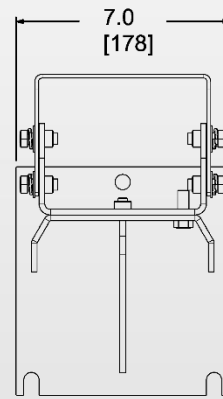
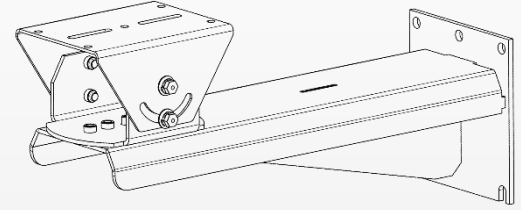
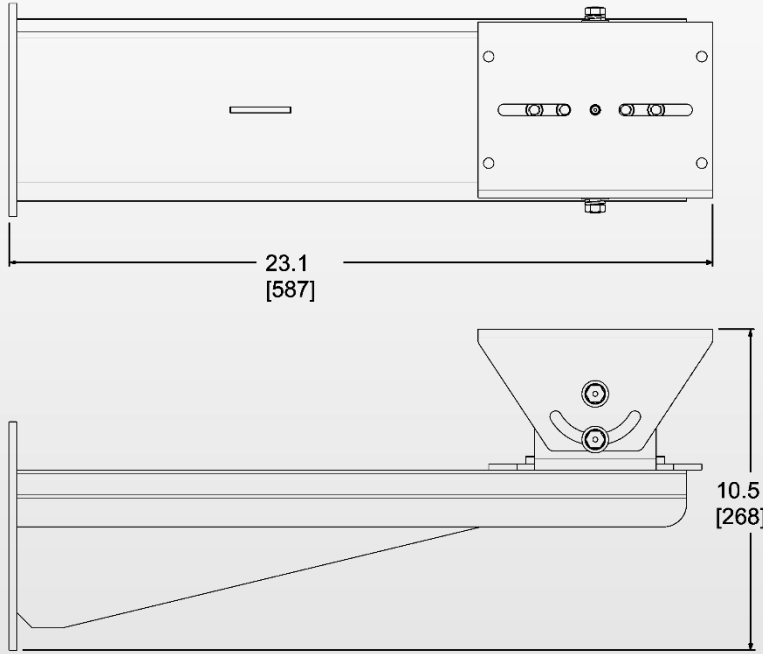
Shown: BEX-PM

# Mounts

For BEX Series  
Explosion-Proof Housings

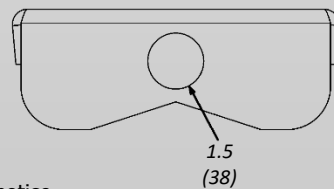
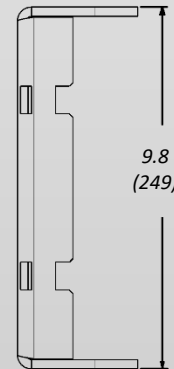
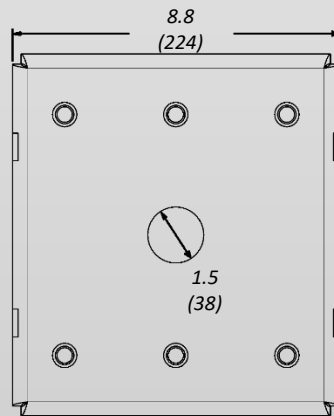
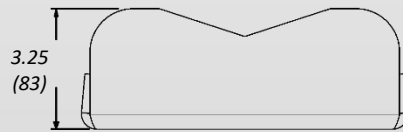
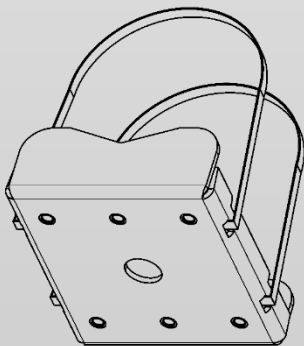
**Dimensional Drawings**  
BEX-WMT Adjustable Head  
Wall Mount

Units: In (mm)



**Dimensional Drawings**  
BEX-PM Pole Mount

Units: In (mm)



All specifications are subject to change without notice.

© BroadSight Systems, Inc. All Rights Reserved. 10/21