

Mounting Accessories

For Temperature Scanners

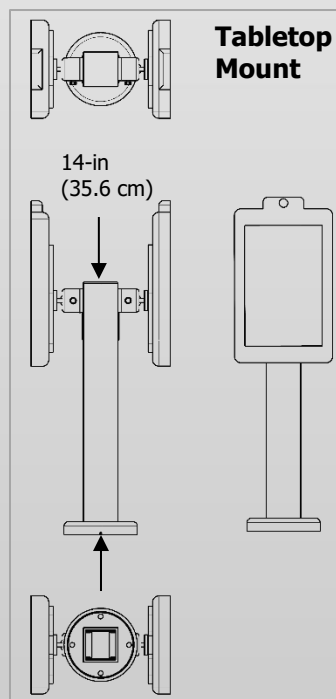
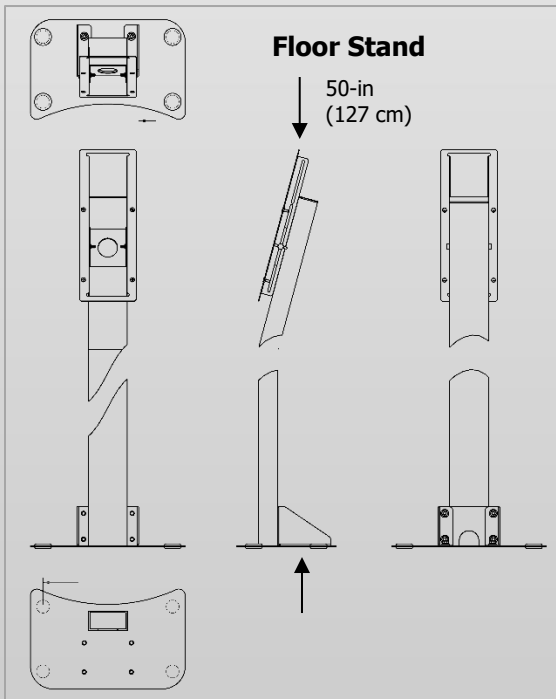
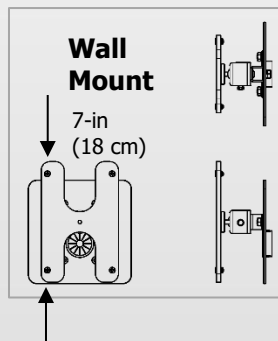


Features

- Durable Aluminum Construction
- Powder Coat Finish
- Feed-Through Cable Routing
- Easily Adapted to Your Device
- Custom Colors Available

Models:

BFS-213H	Floor Stand Mount, Height-Adjustable, For Temperature Scanner; Aluminum Construction, Black
BMT-FTR-SW	Wall Mount, For Temperature Scanner, Swivel Adjustment, Double Gang Box Compatible; Black
BMT-PFX-T	Tabletop Mount, Back-To-Back, For Temperature Scanner, Black



Custom mounts allow temperature scanners to be installed on a floor stand, tabletop (single or dual mount), or wall mount applications.

Designed with ease of installation in mind, these mounts feature feed-through wiring, height adjustment (floor stand), swivel adjustment (tabletop, wall mount), and aluminum construction.

Not sure if our mounts will accept your device? Our engineers will match your model number to a compatible mount, or design a custom mounting plate specific to your device.

Take advantage of our color-matching service so that the mount blends into your décor.