

BGB Series

Gang Box Cameras



Features

- Interchangeable Clear and Tinted Windows Included
- White, Ivory and Silver Faceplate Options
- 2-Axis Camera Adjustment

Models:

BGB-@#	Gang Box Camera Kit
BGB-X#	Gang Box Kit, No Camera

@ Refer to Ordering Code column of Specialty Camera Line
(Compatible camera models A, B, C)
Faceplate color (W=White, I=Ivory, S=Silver)

Specifications:

Construction	Aluminum, Powder Coated
Environment	Indoor
Window Lens	Two included: Clear and Tinted
Compatible Gang Box	Single Gang (Not Provided)

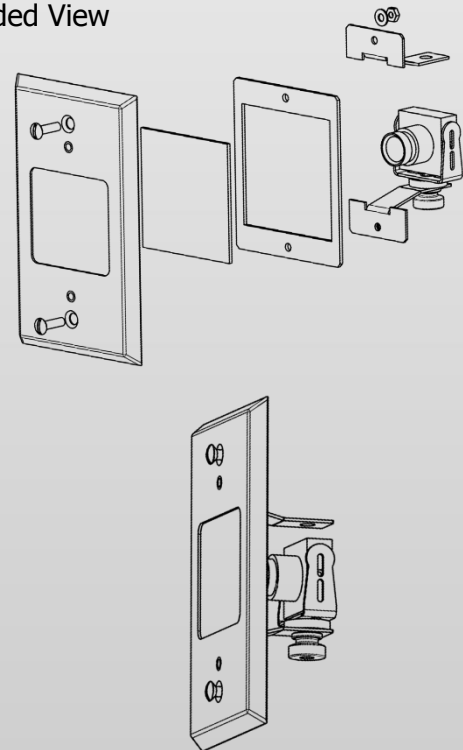
The BGB series of cameras are designed to fit most standard electrical single gang boxes. This provides a discrete surveillance option in highly sensitive areas where traditional cameras may not provide the field of view, performance or appearance required.

The standard camera models are available with three faceplate cover options (white, ivory, or silver). Additional color options are available; please contact your sales representative for more information.

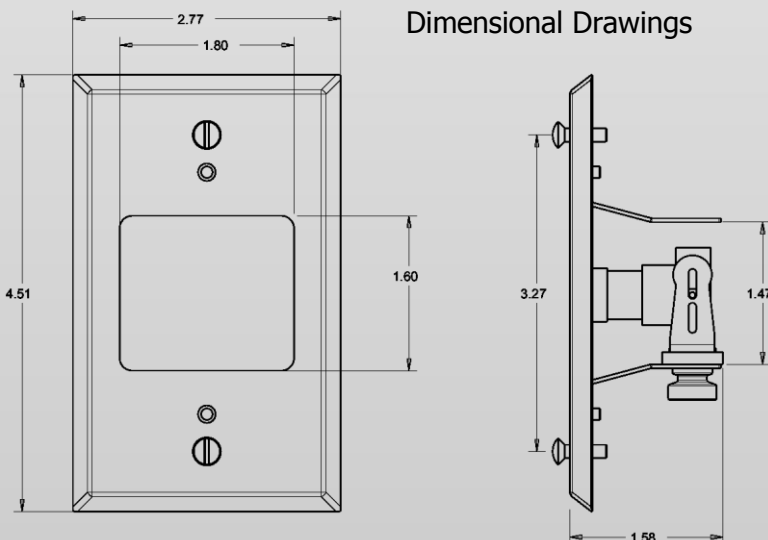
Each model includes two viewing windows and the camera with mounting brackets. Clear and tinted viewing windows are provided for each model. The "X" model is available with no camera.

Refer to our [Specialty Camera](#) product line for camera details and a compatibility list. Contact our sales team for a quote to modify our design to accept your preferred camera. OEM services are available.

Exploded View



Dimensional Drawings



All specifications are subject to change without notice.

© Broadsight Systems, Inc. All Rights Reserved. 05/19