

INSTALLATION MANUAL – Mounting Accessories for Leica™ BLK-247 Pendant/Wall Mount w/ Solar Shroud, Pole Mount, Corner Mount

WARNING: Before beginning installation of this product, carefully review the safeguards and precautions found on page 2 of this manual.

Unpacking

Unpack carefully. This equipment should be handled with care. If an item appears to have been damaged in shipment, replace it properly in its carton and notify the shipper. If any items are missing, notify Broadsight Systems, Inc. The shipping carton is the safest container in which the unit may be transported. Save it for possible future use.

Service

If the unit ever needs repair service, the customer should contact Broadsight Systems, Inc. for a return materials authorization (RMA) and shipping instructions.

Care and Maintenance

Perform routine maintenance to keep the unit dust free. Clean the viewing window with a mild detergent and water using a soft cloth, or Kimwipe™ brand Delicate Task wipes.

Model Designation

BLK-247MKB	Wall and Pendant Mount Kit w/ Sun Shroud For Leica™ BLK-247; Black
BLK-247PMB	Pole Mount for use w/ BLK-247MKB; Black
BLK-247CMB	Corner Mount for use w/ BLK-247MKB; Black

Description

These mounting accessories allow the Leica™ BLK-247 to be installed outdoors in wall mount, pendant mount, corner mount, and pole mount applications. A sunshield is included with the wall/pendant mount kit to shade the BLK-247 in hot environments.

Hardware Kit – BLK-247MKB

3 x M5 x 10mm" Button Head Cap Screw, Stainless Steel

Hardware Kit – BLK-247PMB

2 x Strap Kit, Stainless Steel

Hardware Kit – BLK-247CMB

4x 1/4-20 x 1/2" Button Head Cap Screw, Stainless Steel
4x 1/4" Lock Washer
4x 1/4" Flat Washer

Tools Required

3mm Allen wrench or hex bit
4mm Allen wrench or hex bit
Teflon thread sealant tape (Pendant mount only)
Loctite™ 242 Threadlocker
Appropriate tools for customer-supplied fasteners for anchoring to installation surface (-MKB and -CMB)

Certification

Installation should be performed by a licensed professional and conform to the National Electrical Code (NEC) and any applicable local codes.

Installation

1. Remove mounts and BLK-247 from packaging.
2. Remove mounting ring (see Figure 1) from BLK-247 per instructions included with that unit.



CAUTION: Orientation of exhaust port is critical – refer to BLK-247 manual.

Figure 1 - BLK-247 Mounting Ring

3. Note the desired orientation of the BLK-247 with respect to exhaust direction. This is critical for long-term operation of the unit. Refer to the manual included with the BLK-247
4. Align the three holes indicated in Figure 1 with the desired holes in the pendant cap (see Figure 2). Note the pendant cap can be rotated (loosened) up to 60° without compromising its seals to achieve the desired angle.
5. Align solar shroud (optional) between pendant cap and mounting ring.
6. Apply Loctite™ 242 Threadlocker to the M5 screws from the hardware kit then use them to attach the mounting ring to the pendant cap.

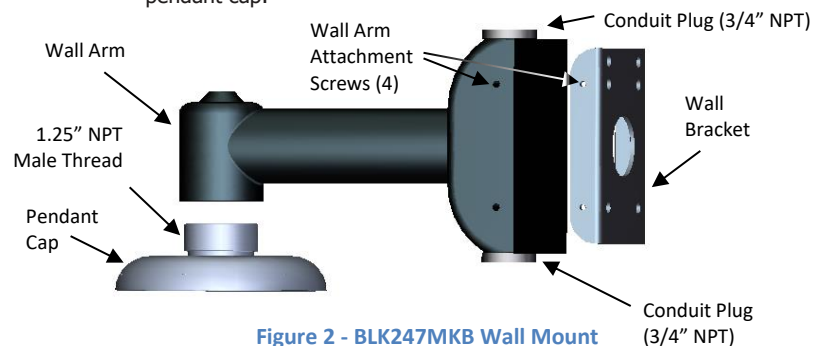



Figure 2 - BLK247MKB Wall Mount

***** Instructions Continue on Page 3 *****

IMPORTANT SAFEGUARDS

1. Read Instructions - All the safety and operating instructions should be read before the unit is operated.
2. Retain Instructions - The safety and operating instructions should be retained for future reference.
3. Heed Warnings - All warnings on the unit and in the operating instructions should be adhered to.
4. Follow Instructions - All operating and use instructions should be followed.
5. Cleaning - Unplug the unit from the outlet before cleaning. Do not use liquid cleaners or aerosol cleaners. Use a damp cloth for cleaning.
6. Attachments - Do not use attachments not recommended by the product manufacturer as they may cause hazards.
7. Accessories - Do not place this unit on an unstable stand, tripod, bracket, or mount. The unit may fall, causing serious injury to a person and serious damage to the unit. Use only with a stand, tripod, bracket, or mount recommended by the manufacturer or sold with the product. Any mounting of the unit should follow the manufacturer's instructions and should use a mounting accessory recommended by the manufacturer.
 An appliance and cart combination should be moved with care. Quick stops, excessive force, and uneven surfaces may cause the appliance and cart combination to overturn.
8. Ventilation - Openings in the enclosure, if any, are provided for ventilation, to ensure reliable operation of the unit, and to protect it from overheating. These openings must not be blocked or covered. This unit should not be placed in a built-in installation unless proper ventilation is provided or the manufacturer's instructions have been adhered to.
9. Power Sources - This unit should be operated only from the type of power source indicated on the marking label. If you are not sure of the type of power supply you plan to use, consult your appliance dealer or local power company. For units intended to operate from battery power or other sources, refer to the operating instructions.
10. Grounding or Polarization - This unit may be equipped with a polarized alternating-current line plug (a plug having one blade wider than the other). This plug will fit into the power outlet only one way. This is a safety feature. If you are unable to insert the plug fully into the outlet, try reversing the plug. If the plug should still fail to fit, contact your electrician to replace your obsolete outlet. Do not defeat the safety purpose of the polarized plug. Alternatively, this unit may be equipped with a 3-wire grounding-type plug, a plug having a third (grounding) pin. This plug will only fit into a grounding-type power outlet. This is a safety feature. If you are unable to insert the plug into the outlet, contact your electrician to replace your obsolete outlet. Do not defeat the safety purpose of the grounding-type plug.
11. Power Cord Protection - Power supply cords should be routed so that they are not likely to be walked on or pinched by items placed upon or against them, paying particular attention to cords and plugs, convenience receptacles, and the point where they exit from the appliance.
12. Power Lines - An outdoor system should not be located in the vicinity of overhead power lines or other electric light or power circuits or where it can fall into such power lines or circuits. When installing an outdoor system, extreme care should be taken to keep from touching such power lines or circuits as contact with them might be fatal. U.S.A. models only - refer to the National Electrical Code Article 820 regarding installation of CATV systems.
13. Overloading - Do not overload outlets and extension cords as this can result in a fire or electric shock.
14. Object and Liquid Entry - Never push objects of any kind into this unit through openings, as they may touch dangerous voltage points or short out parts that could result in a fire or electric shock. Never spill liquid of any kind on the unit.
15. Servicing - Do not attempt to service this unit yourself as opening or removing covers may expose you to dangerous voltage or other hazards. Refer all servicing to qualified service personnel.
16. Damage Requiring Service - Unplug the unit from the outlet and refer servicing to qualified service personnel under the following conditions:
 - a. When the power supply cord or plug is damaged.
 - b. If liquid has been spilled or objects have fallen into the unit.
 - c. If the unit has been exposed to rain or water.
 - d. If the unit does not operate normally by following the operating instructions. Adjust only those controls that are covered by the operating instructions, as an improper adjustment of other controls may result in damage and will often require extensive work by a qualified technician to restore the unit to its normal operation.
 - e. If the unit has been dropped or the cabinet has been damaged.
 - f. When the unit exhibits a distinct change in performance--this indicates a need for service.
17. Replacement Parts - When replacement parts are required, be sure the service technician has used replacement parts specified by the manufacturer or have the same characteristics as the original part. Unauthorized substitutions may result in fire, electric shock, or other hazards.
18. Safety Check - Upon completion of any service or repairs to this unit, ask the service technician to perform safety checks to determine that the unit is in proper operating condition.
19. Coax Grounding - If an outside cable system is connected to the unit, be sure the cable system is grounded. U.S.A. models only--Section 810 of the National Electrical Code, ANSI/NFPA No.70-1981, provides information with respect to proper grounding of the mount and supporting structure, grounding of the coax to a discharge unit, size of grounding conductors, location of discharge unit, connection to grounding electrodes, and requirements for the grounding electrode.
20. Lightning - For added protection of this unit during a lightning storm, or when it is left unattended and unused for long periods of time, unplug it from the wall outlet and disconnect the cable system. This will prevent damage to the unit due to lightning and power line surges.

FCC NOTICE

This equipment generates and uses radio frequency energy and if not installed and used properly, that is, in strict accordance with the manufacturer's instructions, may cause interference to radio and television reception. It has been type tested and found to comply with the limits for a Class B computing device in accordance with Part 15 of FCC Rules, which are designed to provide reasonable protection against such interference in a residential installation. However, there is no guarantee that interference will not occur in a particular installation. If this equipment does cause interference to radio or television reception, which can be determined by turning the equipment off and on, the user is encouraged to try to correct the interference by one or more of the following measures:

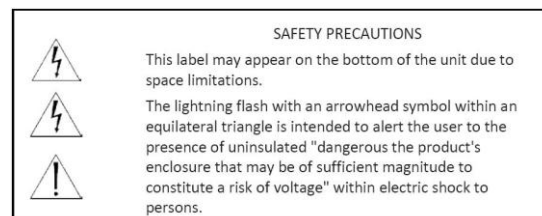
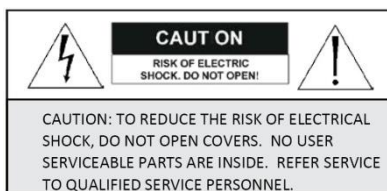
Relocate the monitor away from the TV/radio receiver.

Plug the monitor into a different wall outlet so that the console is on a different branch circuit.

Re-orient the TV/radio antenna.

If necessary, the user should consult the dealer or an experienced radio/television technician for additional suggestions.

NOTE: Changes or modifications to the unit may void FCC compliance.



7. For **Pendant mount** applications:

- a. Prepare hanging pipe with 1.25" NPT female threads.
- b. Apply Teflon tape to pendant cap threads.
- c. Route cables through pendant cap and mounting ring.
- d. Screw pendant cap onto prepared pipe.
- e. Attach cables to BLK-247 per instructions included with that unit.
- f. Reattach BLK-247 to mounting ring per instructions included with that unit.
- g. Installation complete

8. For all other mount applications: remove the four (4) wall arm attachment screws (see Figure 4) to detach the wall bracket from the wall arm.

9. Attach the wall bracket according to the type of installation:

a. **Wall mount:**

- i. Hold the wall bracket up to the mounting surface and use it as a template to mark the desired hole locations.
- ii. Drill out the surface with appropriate tools for customer-supplied anchors and fasteners.
- iii. Use appropriate fasteners for the type of installation surface.

b. **Corner mount:**

- i. Attach the wall bracket to the corner mount with the 1/4-20 screws, washers and flat washers from the hardware kit.
- ii. Hold the corner mount up to the mounting surface and use it as a template to mark the desired hole locations.
- iii. Drill out the surface with appropriate tools for customer-supplied anchors and fasteners. Use appropriate fasteners for the type of installation surface.

Pole mount:

- iv. Attach the wall bracket to the pole mount with the 1/4-20 screws, washers and flat washers from the hardware kit.
- v. Attach the pole mount to the pole with the worm gear straps. Refer to the instructions included with the straps.

10. Remove conduit plug(s) (see Figure 2) and install 3/4" NPT cordgrip(s) or conduit fitting(s).
11. Run cable(s) and conduit (optional) to installation site. For conduit runs, use flex conduit with 3/4" fittings and attach to conduit holes in wall arm. Route cable(s) through fitting(s) and through wall arm. Tighten fitting(s) securely.
12. Ensure clear gasket is seated around the back of the wall arm, and wall arm attachment screws have gaskets under the screw heads.
13. Reattach the wall arm to the wall bracket by locating the wall arm attachment screw holes (see Figure 1) over the corresponding holes in the wall bracket.
14. Reinstall wall arm attachment screws with a #2 Phillips head screwdriver or bit. Tighten by hand until gasket is firmly compressed. Do not over-tighten (could damage gasket).
15. Attach cables to BLK-247 per instructions included with that unit.
16. Reattach BLK-247 to mounting ring per instructions included with that unit.
17. Installation complete

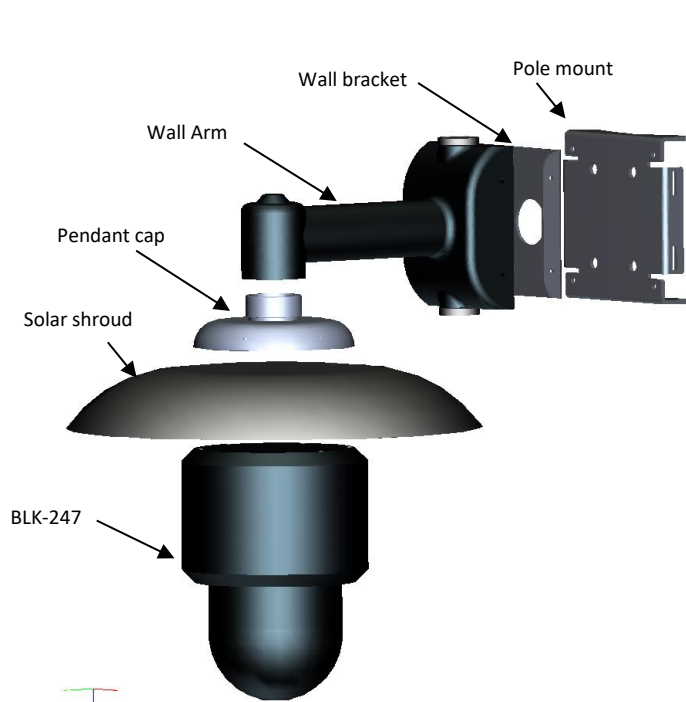


Figure 3 - Pole Mount Installation (Exploded View)

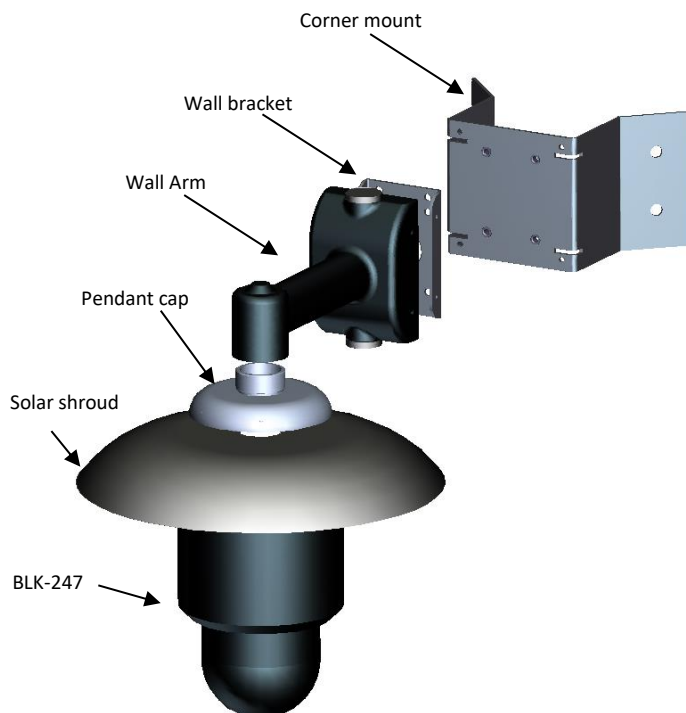


Figure 4 Corner Mount Installation (Exploded View)



BroadSight

S Y S T E M S

www.broadsightsystems.com