

BSH-4011

Outdoor Camera Housings



The BSH-4011 Series CCTV Camera Housings are versatile solutions for indoor and outdoor installations and are suitable for use with analog or IP surveillance cameras. Used with the wall mount accessory, the housing can be manually rotated 360° and tilted 90°.

The viewing window is glass for superb optical clarity and won't degrade the image of a HD or multi-Megapixel IP camera.

Each unit allows the installer to feed the cables through either the foot of the housing or the rear cap. All units include two liquid-tight connectors to protect against water ingress and plugs for unoccupied entry holes. A generic platform is included for installing cameras and lenses of various sizes and shapes.

Protect your camera in hot environments by selecting the heater/blower option (-24) and the sunshield accessory. Select the heater option (-2) for cold installations.

All BSH-4011 housings and accessories are constructed of durable powder coated aluminum and stainless steel fasteners.

Features:

- Indoor/Outdoor Camera Enclosure
- Glass viewing window provides clear image for multi-Megapixel IP cameras
- Multiple wiring options: feed cables through foot of housing or rear cap
- Heater and Blower options for adverse weather conditions
- Wall mount, pole adapter, sunshield accessories available
- Durable all aluminum construction

Models

BSH-4011	Housing, Outdoor
BSH-4011-2	Housing, Outdoor, Heater
BSH-4011-24	Housing, Outdoor, Htr & Blower

Accessories

BSH-4011SS	Sunshield
BWM-4011	Wall mount, adjustable head
BWM-4011J	"J" overhang mount, adjust. head
BPA-1	Pole mount adapter

Specifications

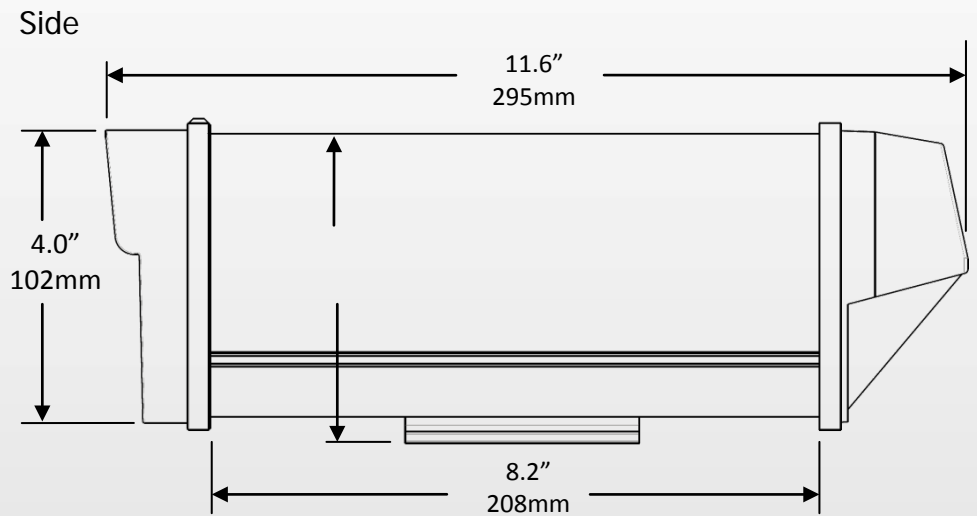
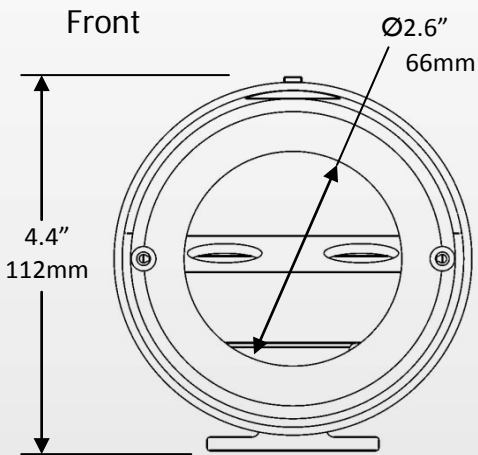
Input Voltage (-2)	12 / 24 V DC or AC (50/60Hz)
Input Voltage (-24)	24 VAC
Power Consumption	10W (-2), 12W (-24)
Max Camera/Lens	2.6 x 2.1 x 7.75 in (W x H x L)
Combination Size	68 x 54 x 197 mm (W x H x L)
IP Rating	Designed to meet IP65, NEMA 4
Dimensions (in)	4.4 x 4.35 x 11.6 (HxWxL)
Dimensions (mm)	112 x 110 x 295
Operating Temp (°F)	-40° ~ 131°F
Operating Temp (°C)	-40° ~ 65°C
Construction	All aluminum construction, powder coated
Weight (Shipping)	2.6-lbs (3.0lbs)

BSH-4011

Outdoor Camera Housings

Dimensional Drawings

External Dimensions



Internal Dimensions

