



# BPH-4500 Series

## Pressurized Camera Housings

### Features

- Customized Configurations Available
- Indoor/Outdoor Camera Enclosure
- Pressurize with Nitrogen to Prevent Condensation on Electronics
- Schrader Valve for Easy Pressurization
- Over-pressurization Relief Valve
- Multi-Pin Military-Style Connector
- Aluminum Construction
- Sunshield and Heater Standard

The BPH-4500 Series Camera Housings accommodate a variety of camera/lens combinations. These housings can be pressurized with dry, compressed air or dry nitrogen. The viewing window is constructed of strengthened, optically clear glass that will not degrade the image quality of HD cameras.

Cable entry into the housing is achieved through a multi-pin Military Style connector on the rear of the housing. The standard internal cable harness is wired for IP cameras. Analog camera wiring is available.

Available options include a heater, tamper switch, surge protector, and 12VDC output for the camera.

Pressurized security camera housings greatly increase the operational lifetime of sensitive electronics installed in harsh environments. These housings are designed with a primary focus on keeping dust, dirt, and liquids out of the housing. Long-term buildup of dust inside the housing can accumulate on the lens reducing the image quality and create an insulating layer on the camera and trap heat inside.

The air inside the housing typically contains moisture in the form of humidity. When the temperature drops, this moisture can condense and form water droplets on the electronics. Pressurizing the housing with dry nitrogen has the added benefit of replacing the air inside the housing with nitrogen, which does not condense. Incorporating the heater and sunshield options help to even out daily temperature swings and extend the operating temperature of the camera in harsh environments.

### Standard Models:

BPH-4518	Pressurized Housing, 18" Length
BPH-4518-2	Pressurized Housing, 18" Length, Heater, 24VAC Input 50/60Hz
BPH-4518-6	Pressurized Housing, 18" Length, Heater, 120VAC Input 50/60Hz

### Available Options

Heater, Blower, Tamper Switch, Surge Protector, IP or Analog Wiring, 12VDC Output to Camera

### Specifications:

Heater (-2, -6)	40W
Max Camera/Lens Combination Size	Up to 11" Length, 3.5" Width
Viewing Window	Glass, 3mm thickness
IP Rating	Designed to meet IP68/NEMA-6P
Connector	16-pin Shell Size 20 Accepts 20 - 16 AWG Wires
Operating Temp (-2, -6)	At -40° Ambient, Heater maintains -15°C/5°F Internal
Construction	Aluminum
Weight	6.2 LBS
Dimensions	See Next Page

# BPH 4500 Series

## Pressurized Camera Housings

### Dimensional Drawings

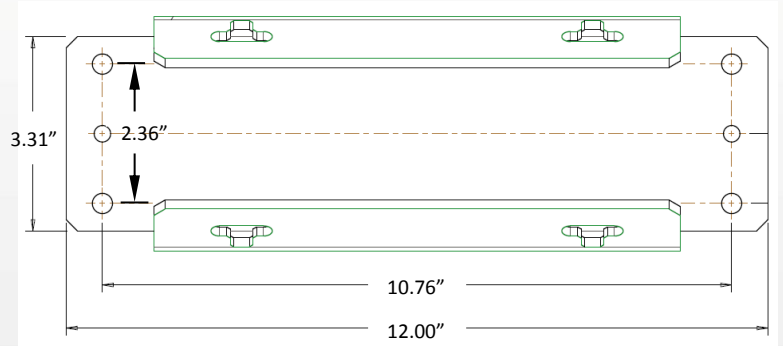
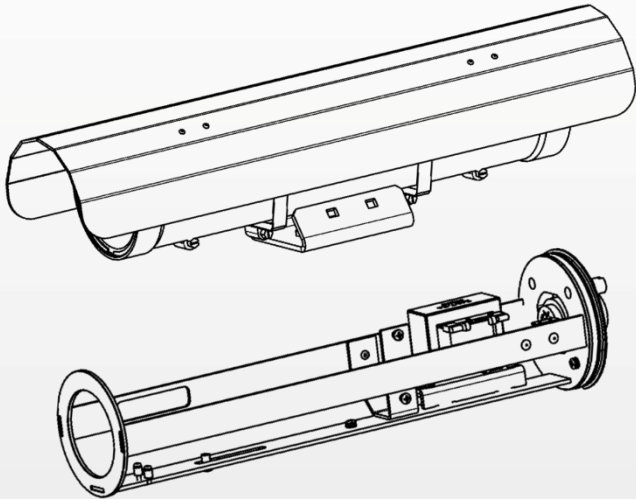
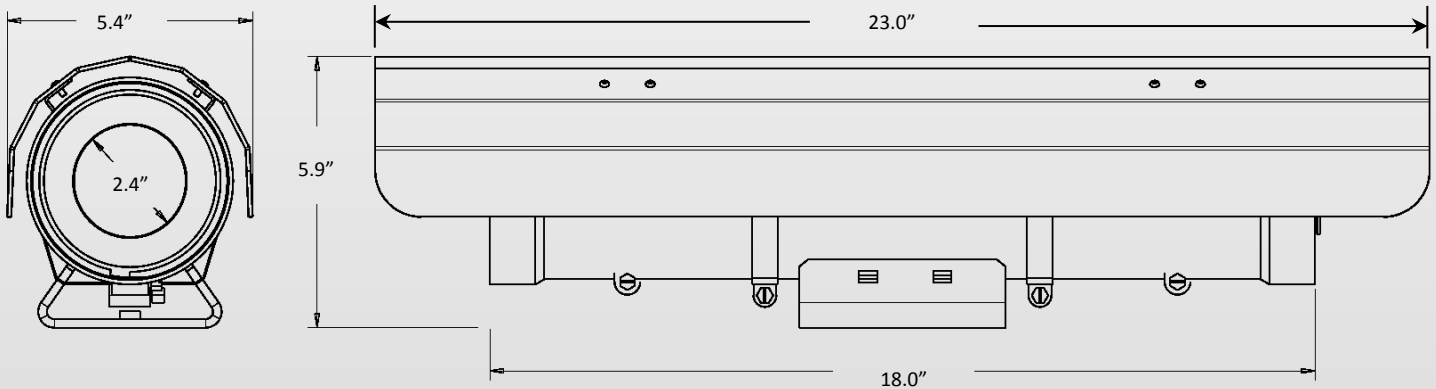
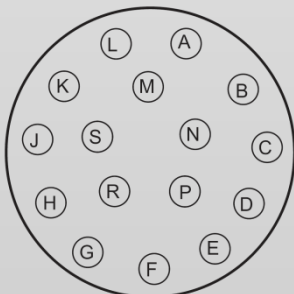


Figure 1 - Mounting Base



16-Pin Military Style Connector  
Shell Size 20, 20-16AWG Crimps



#### Internal Wiring Harness

Pin	Designation
A	Not Connected
B	AC Neutral (White)
C	AC Hot (Black)
D	Ground (Green)
E	Tamper Switch
F	Network (Green)
G	Network (White/Blue)
H	Network (Blue)
J	Network (White/Green)
K	Network (Orange)
L	Network (White/Orange)
M	Not Connected
N	Not Connected
P	Tamper Switch
R	Network (White Brown)
S	Network (Brown)

#### Tools required for mating (cable) multi-pin connector:

The following tools are available from:

*Daniels Manufacturing Corporation*  
6103 Anno Avenue, Orlando, FL, 23809  
407-855-6161

Crimp Tool: AF8 (M22520/01)  
Crimp Tool Turret: TH1A (M22520/1-02)  
Insertion Tool: DAK16B (M81969/17-04)  
Removal Tool: DAK16A (M81969-08)

*Amphenol Corp.*  
40-60 Delaware Ave., Sidney, NY 13838  
607-563-5011

Insertion Tool: 11-7401-16 (M81969/17-04)  
Removal Tools: 11-7880-16 (M81969/19-08)

All specifications are subject to change without notice.

© Broadsight Systems, Inc. All Rights Reserved. 05/19