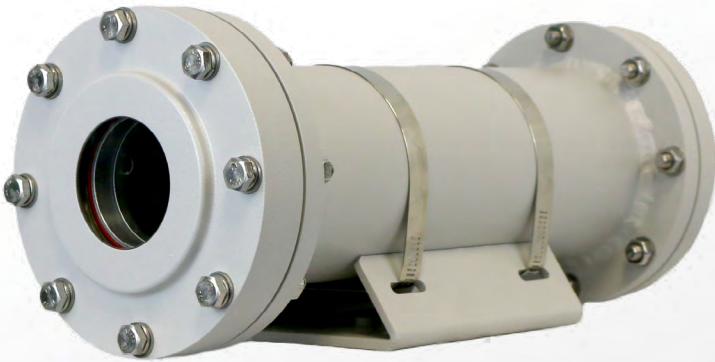


## BEX Series

### Explosion-Proof Housing



#### Features:

- UL/cUL Classified
- Designed to meet ATEX / IEC Ex Certification (pending)
- For use in Hazardous Locations (HazLoc)
- Indoor/outdoor installation
- Chemically-strengthened glass viewing window
- Durable aluminum construction
- IP66 / NEMA 4X for all weather conditions
- Operating temperature range (-4 ~ +122 °F)
- Made in the USA

Explosion-Proof Housings allow electrical equipment to be installed in hazardous environments containing flammable vapors, gases, or dust. The housings are designed to prevent any ignition or spark caused by the electronics inside from igniting the surrounding flammable atmosphere.

The BEX Series UL-classified explosion-proof housings are available in three (3) sizes ranging from 4- to 6.6-inches in diameters. They are designed to enclose a camera and lens to provide surveillance in hazardous environments. The unit is suitable for outdoor operation and are classified as enclosures for use in Hazardous Locations (HazLoc).

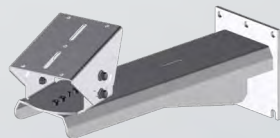
The BEX enclosure includes cable entry ports in the rear of the unit and a generic camera-mounting platform sized to accept various camera and lens combinations. They can be attached to a variety of fixed mounts or an explosion-proof Pan/Tilt base (optional). An optional sun shield is also available.

### Specifications

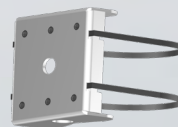
UL/cUL Classification	Class I, Div 1, Groups C,D. Class II, Div 1, Groups E,F,G.
ATEX/IECEX Certification (pending)	Ex db IIB Gb, Ex tb IIIC Db
Safety Standards	UL 1203, Explosion-Proof and Dust-Ignition-Proof Electrical Equipment for Use in Hazardous (Classified) Locations
	UL 2062, Enclosures For Use In Hazardous (Classified) Locations
	CSA C22.2 No. 25-17, Enclosures for use in Class II Groups E, F, and G Hazardous Locations
	CSA C33.3 No. 30, Explosion-Proof Equipment
Environmental	IP66 / NEMA 4X for all weather conditions
Cable Entry	2 x 1/2" NPT threaded holes
Window Construction	`
Housing Construction	Aluminum with stainless steel fasteners
Finish	Powder coat paint

Models	BEX-40140	BEX-50175	BEX-66205
Dimensions W x H x L	6.0" x 6.2" x 14.3" 152 x 157.5 x 362mm	8.0" x 8.2" x 18.3" 203 x 208 x 465mm	10"x 10.5"x 21.3" 254 x 267 x 541mm
Internal Dimensions	12" L x ø 3.5" 304.8 L x ø 89mm	15" L x ø 4.5" 381 x ø 114mm	18" L x ø 6.0" 457 x ø 152mm
Window Area	ø 2.2" (ø 57mm)	ø 2.7" (ø 69mm)	ø 3.3" (ø 81mm)
Window Thickness	0.5" (13mm)	0.5" (13mm)	0.5" (13mm)
Weight	9.8 lbs (4.4 kg)	20 lbs (9.1 kg)	36.6 lbs (16.6 kg)
Operating Temp	-4 ~ +122°F (-20 ~ +50°C)		

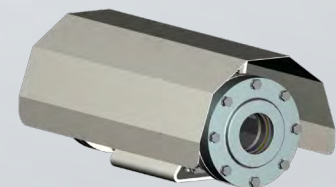
### Accessories



Wall Mount  
**BEX-WMT**



Pole Mount  
**BEX-PM**



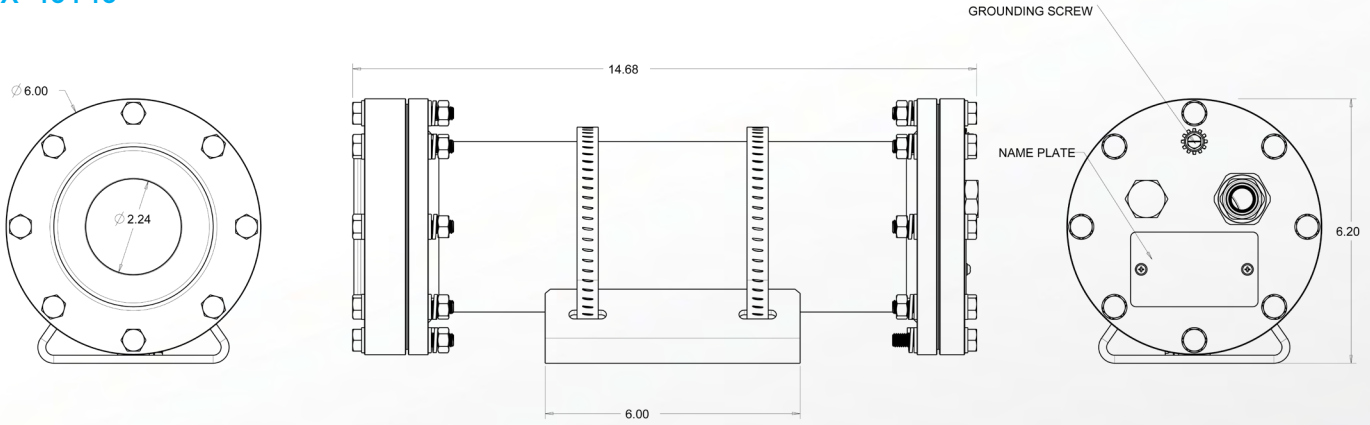
Sun Shield  
**BEX-SS**

See individual specifications for more detail on accessories

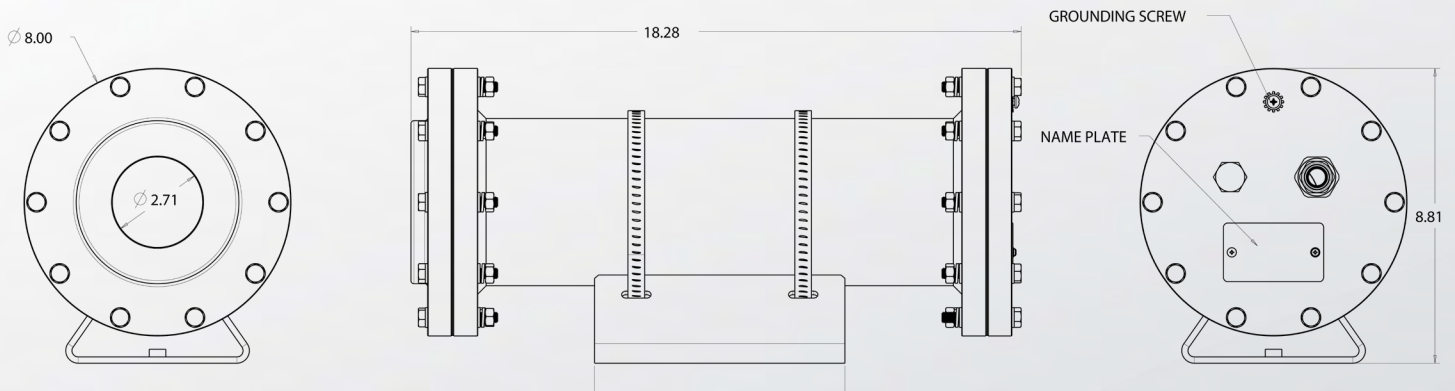
# BEX Series

## Explosion-Proof Housing

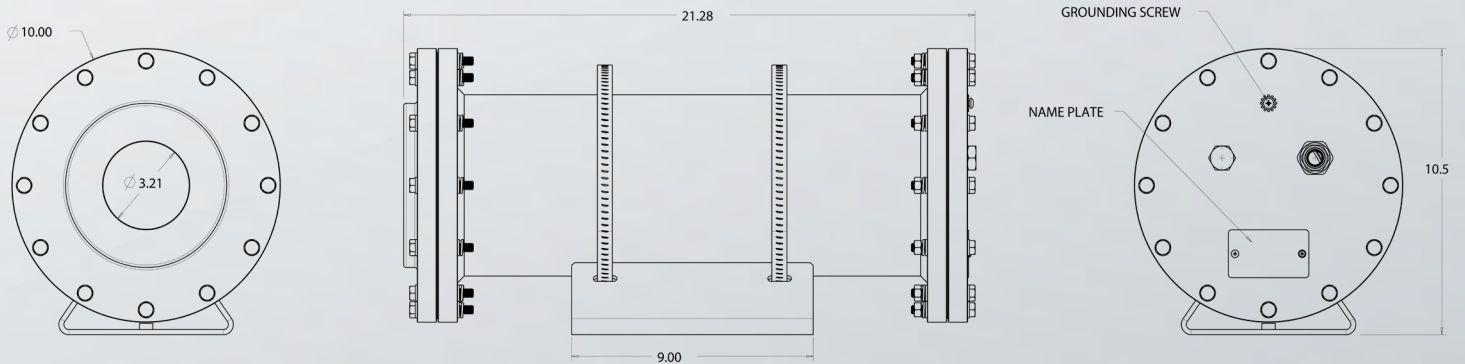
### BEX-40140



### BEX-50175



### BEX-66205



All specifications are subject to change without notice.

© 2022 Broadsight Systems, Inc. All Rights Reserved. 06/22