

BCC Series

Corner Mount Cameras



Features

- Tamper Resistant Design
- Interchangeable Clear and Tinted Windows Included
- Black, White and Silver Faceplate Options
- Conduit Knockouts Provided (4)
- 2-Axis Camera Adjustment

Models:

BCC-@#	Corner Mount Camera
BCC-X#	Corner Mount, No Camera
@	Refer to Ordering Code column of Specialty Camera Line (Compatible camera models A, B, C)
#	Faceplate color (B=Black, W=White, S=Silver)

Specifications:

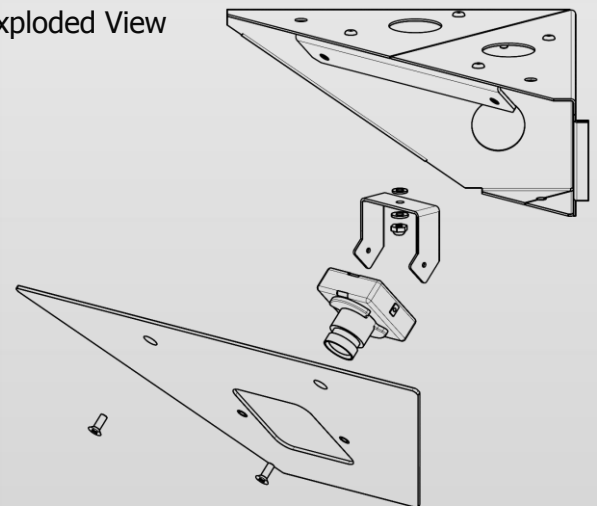
Construction	Aluminum, Powder Coated
Environment	Indoor
Window Lens	Two included: Clear and Tinted
Conduit Knockouts	0.875" (7/8") [22mm]

Entryways to most buildings and retail establishments typically pose several challenges when implementing a security camera system: they are small in size, visitors can easily reach a wall-mounted camera, or the décor does not agree with vandal resistant domes. A corner mount camera addresses all of these issues due to the wide angle lens offering superb coverage of the room. The housing's aluminum construction and tamper resistant design mounts flush to 90-degree corner making it difficult to access, and the sleek look blends into many decors.

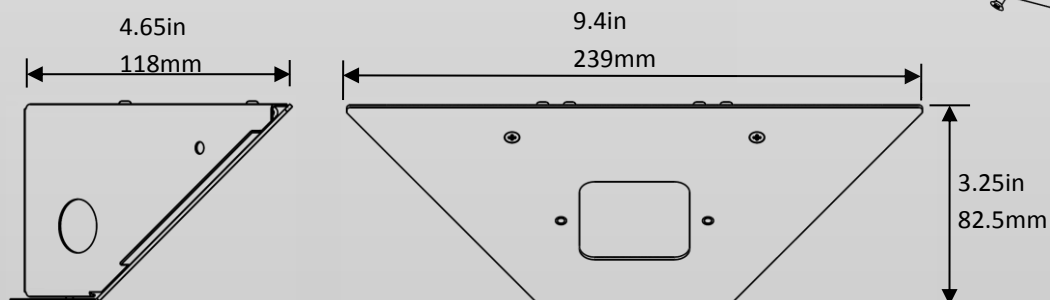
The BCC Series corner mount cameras are ideal for full coverage of small rooms, elevators and hallways. The housing is designed to accommodate multiple camera varieties that can be tilted and swiveled to achieve the required viewing angle. The housings consist of a 2-part assembly for easy installation. The standard faceplate is black and optional white and silver faceplates are available.

Refer to our [Specialty Camera](#) product line for camera details and a compatibility list. Contact our sales team for a quote to modify our design to accept your preferred camera. OEM services are available.

Exploded View



Dimensional Drawings



All specifications are subject to change without notice.

© Broadsight Systems, Inc. All Rights Reserved. 05/19