

## INSTALLATION MANUAL – BSH-4011 Security Camera Housing

**WARNING:** Before beginning installation of this product, carefully review the safeguards and precautions found on page 2 of this manual.

### Unpacking

Unpack carefully. This is electromechanical equipment and should be handled with care. If an item appears to have been damaged in shipment, replace it properly in its carton and notify the shipper. If any items are missing, notify Broadsight Systems, Inc. The shipping carton is the safest container in which the unit may be transported. Save it for possible future use.

### Service

If the unit ever needs repair service, the customer should contact Broadsight Systems, Inc. for a return materials authorization (RMA) and shipping instructions.

### Care and Maintenance

Perform routine maintenance to keep the unit dust free and clean the viewing window using a mild detergent solution and Kimwipe™ brand delicate task wipes or similar.

### Model Designation

BSH-4011	Outdoor housing
BSH-4011-2	Outdoor housing with heater
BSH-4011-24	Outdoor housing with heater/blower

### Accessories

BSH-4011SS	Sunshield for BSH Housings
BWM-4011	Wall Mount, adjustable head
BWM-4011J	Ceiling/overhang mount, adjustable head
BPA-1	Pole adapter for BWM-4011 Mount

### Description

The BSH-4011 Series Camera Housings are outdoor rated enclosures with optional heater and blower features as well as a sunshield accessory to improve the camera's performance in hot or cold climates. Cable entry is possible through the rear cap and the mounting foot. The accessory mount permits cable concealment when the cables are routed through the

mount. The housing is sized to fit a range of cameras and lenses, and includes a generic camera mounting bracket for attaching it to the housing.

### Hardware Kit

- 2 x ¼-20 x 3/8" Hex Cross Recessed Head Screws
- 1 x ¼" Flat Washer
- 1 x ¼" Lock Washer

### Tools Required

- #2 Cross Recessed Screwdriver (Phillips)
- 1/8" Width Flat Blade Screwdriver
- 3/4" Open End Wrench
- General Purpose Wire Stripper with Cutter
- Optional: Adjustable Wrench

### Materials required

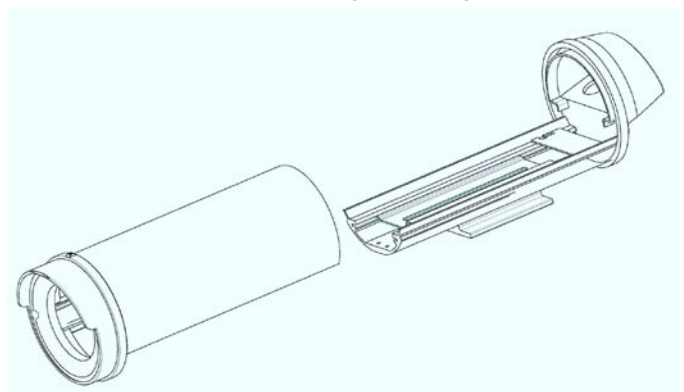
- Outdoor Rated Cables for Power and Video  
Cables must be round in shape with an outer jacket diameter of 0.170" minimum to 0.310" maximum.

### Certification


Installation should be performed by a licensed professional and conform to the National Electrical Code (NEC) and any applicable local codes.

### Installation

Installation instructions begin on Page 3.



# IMPORTANT SAFEGUARDS

1. Read Instructions - All the safety and operating instructions should be read before the unit is operated.
2. Retain Instructions - The safety and operating instructions should be retained for future reference.
3. Heed Warnings - All warnings on the unit and in the operating instructions should be adhered to.
4. Follow Instructions - All operating and use instructions should be followed.
5. Cleaning - Unplug the unit from the outlet before cleaning. Do not use liquid cleaners or aerosol cleaners. Use a damp cloth for cleaning.
6. Attachments - Do not use attachments not recommended by the product manufacturer as they may cause hazards.
7. Accessories - Do not place this unit on an unstable stand, tripod, bracket, or mount. The unit may fall, causing serious injury to a person and serious damage to the unit. Use only with a stand, tripod, bracket, or mount recommended by the manufacturer or sold with the product. Any mounting of the unit should follow the manufacturer's instructions and should use a mounting accessory recommended by the manufacturer.  
 An appliance and cart combination should be moved with care. Quick stops, excessive force, and uneven surfaces may cause the appliance and cart combination to overturn.
8. Ventilation - Openings in the enclosure, if any, are provided for ventilation, to ensure reliable operation of the unit, and to protect it from overheating. These openings must not be blocked or covered. This unit should not be placed in a built-in installation unless proper ventilation is provided or the manufacturer's instructions have been adhered to.
9. Power Sources - This unit should be operated only from the type of power source indicated on the marking label. If you are not sure of the type of power supply you plan to use, consult your appliance dealer or local power company. For units intended to operate from battery power or other sources, refer to the operating instructions.
10. Grounding or Polarization - This unit may be equipped with a polarized alternating-current line plug (a plug having one blade wider than the other). This plug will fit into the power outlet only one way. This is a safety feature. If you are unable to insert the plug fully into the outlet, try reversing the plug. If the plug should still fail to fit, contact your electrician to replace your obsolete outlet. Do not defeat the safety purpose of the polarized plug. Alternatively, this unit may be equipped with a 3-wire grounding-type plug, a plug having a third (grounding) pin. This plug will only fit into a grounding-type power outlet. This is a safety feature. If you are unable to insert the plug into the outlet, contact your electrician to replace your obsolete outlet. Do not defeat the safety purpose of the grounding-type plug.
11. Power Cord Protection - Power supply cords should be routed so that they are not likely to be walked on or pinched by items placed upon or against them, paying particular attention to cords and plugs, convenience receptacles, and the point where they exit from the appliance.
12. Power Lines - An outdoor system should not be located in the vicinity of overhead power lines or other electric light or power circuits or where it can fall into such power lines or circuits. When installing an outdoor system, extreme care should be taken to keep from touching such power lines or circuits as contact with them might be fatal. U.S.A. models only - refer to the National Electrical Code Article 820 regarding installation of CATV systems.
13. Overloading - Do not overload outlets and extension cords as this can result in a fire or electric shock.
14. Object and Liquid Entry - Never push objects of any kind into this unit through openings, as they may touch dangerous voltage points or short out parts that could result in a fire or electric shock. Never spill liquid of any kind on the unit.
15. Servicing - Do not attempt to service this unit yourself as opening or removing covers may expose you to dangerous voltage or other hazards. Refer all servicing to qualified service personnel.
16. Damage Requiring Service - Unplug the unit from the outlet and refer servicing to qualified service personnel under the following conditions:
  - a. When the power supply cord or plug is damaged.
  - b. If liquid has been spilled or objects have fallen into the unit.
  - c. If the unit has been exposed to rain or water.
  - d. If the unit does not operate normally by following the operating instructions. Adjust only those controls that are covered by the operating instructions, as an improper adjustment of other controls may result in damage and will often require extensive work by a qualified technician to restore the unit to its normal operation.
  - e. If the unit has been dropped or the cabinet has been damaged.
  - f. When the unit exhibits a distinct change in performance--this indicates a need for service.
17. Replacement Parts - When replacement parts are required, be sure the service technician has used replacement parts specified by the manufacturer or have the same characteristics as the original part. Unauthorized substitutions may result in fire, electric shock, or other hazards.
18. Safety Check - Upon completion of any service or repairs to this unit, ask the service technician to perform safety checks to determine that the unit is in proper operating condition.
19. Coax Grounding - If an outside cable system is connected to the unit, be sure the cable system is grounded. U.S.A. models only--Section 810 of the National Electrical Code, ANSI/NFPA No.70-1981, provides information with respect to proper grounding of the mount and supporting structure, grounding of the coax to a discharge unit, size of grounding conductors, location of discharge unit, connection to grounding electrodes, and requirements for the grounding electrode.
20. Lightning - For added protection of this unit during a lightning storm, or when it is left unattended and unused for long periods of time, unplug it from the wall outlet and disconnect the cable system. This will prevent damage to the unit due to lightning and power line surges.

## FCC NOTICE

This equipment generates and uses radio frequency energy and if not installed and used properly, that is, in strict accordance with the manufacturer's instructions, may cause interference to radio and television reception. It has been type tested and found to comply with the limits for a Class B computing device in accordance with Part 15 of FCC Rules, which are designed to provide reasonable protection against such interference in a residential installation. However, there is no guarantee that interference will not occur in a particular installation. If this equipment does cause interference to radio or television reception, which can be determined by turning the equipment off and on, the user is encouraged to try to correct the interference by one or more of the following measures:

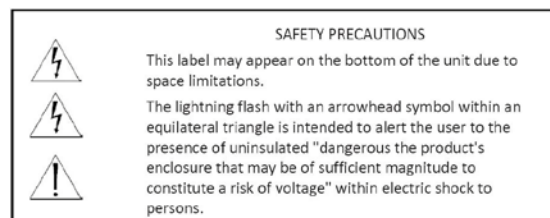
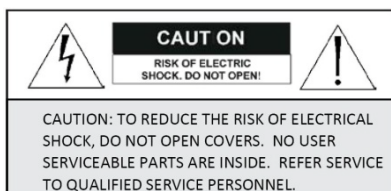
Relocate the monitor away from the TV/radio receiver.

Plug the monitor into a different wall outlet so that the console is on a different branch circuit.

Re-orient the TV/radio antenna.

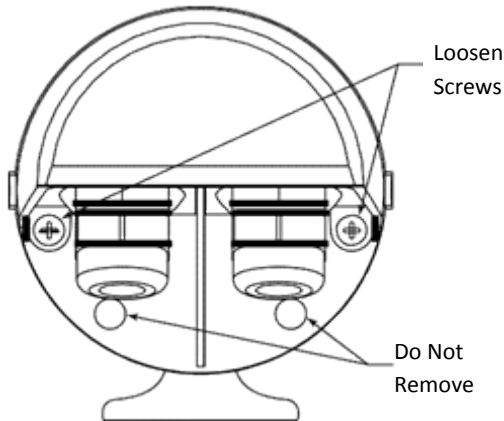
If necessary, the user should consult the dealer or an experienced radio/television technician for additional suggestions.

NOTE: Changes or modifications to the unit may void FCC compliance.

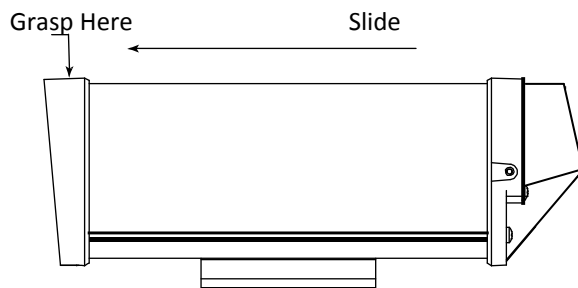


## Installation

1. Choose desired location for camera housing installation. Verify mounting structure and surface is capable of supporting the camera and no obstacle or interference is present from existing installed devices or wiring.
2. Open housing by loosen the 2 Phillips head screws located on the rear cap. Do not remove the lower two screws on the rear cap.

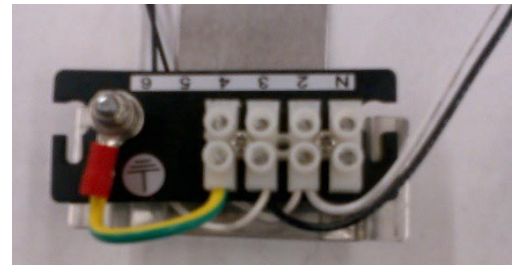


3. Holding the housing base securely, grasp front cap and cover, pull forward sliding the cover off the base.



4. Remove camera mounting bracket by loosen two retaining screws. Slide and lift bracket.
5. Attach camera and lens to bracket using  $\frac{1}{4}$ -20 screw. The position of the camera can be adjusted by flipping the bracket. The lens must not extend more than  $\frac{3}{4}$ " (0.750") beyond the front edge of the bracket.
6. Choose cable entry path for power and video. Using  $\frac{3}{4}$ " wrench, install cable gland fittings either in the rear cap or mounting foot depending on the entry point chosen. Install plugs in the holes not used for cable entry.
7. Attach power to connector terminal block. Block mounting plate can be removed for ease of installation by loosening two screws to slide and lift the plate. Power must be connected to terminals 2 and 3. Ground can be connected to terminal 4 or optional installation by crimping ground to ring terminal on the grounding stud.

Attach terminal block plate to housing base and tighten screws.



8. Position camera into housing and attach black and white wires to camera power terminal as recommended by the camera manufacturer.
9. Attach video cable to camera or other device as specified by the camera or device manufacturer.
10. Position cables to relieve excess stress and tighten the cable gland fittings using  $\frac{3}{4}$ " wrench.
11. Slide cover into place, tighten two Phillips head screws to secure.
12. If using sunshield accessory, attach sunshield according to the instructions included with the sunshield.
13. Attach housing to mounting bracket and set position according to the instructions included with the mount.