

BHM Series

Height Marker Cameras

Features

- Two piece construction for easy installation
- Fits most standard door frames (mullions)
- Durable aluminum construction
- Curved surface with 180° camera adjustment
- 24VAC option available
- Available in white, black or silver (call for custom colors)

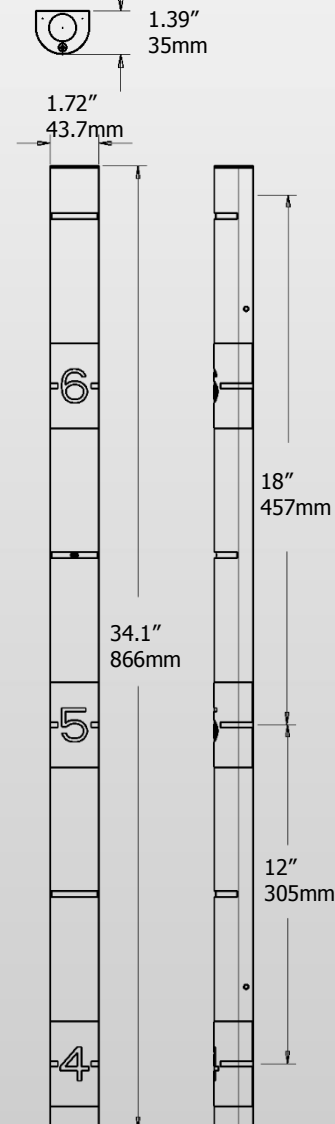
The Height Marker Camera is designed with ease of installation and high adjustability in mind. The curved front surface of the unit allows the camera to be rotated for site specific adjustments. The camera can be rotated left and right of center to capture the desired view within a 180 degree range.

Sized to fit most standard door frames (1.7" width), and with cable entry through the top, bottom, or rear of the unit allows this camera to be installed in a wide variety of locations. Equip the unit with an additional accessory camera and mount the Height Marker Camera between two doors to cover multiple exits with a single unit. Or position the additional accessory camera to view across the entrance to provide a full profile shot, while the other camera(s) faces in toward the flow of exit traffic capturing high quality, high resolution images.

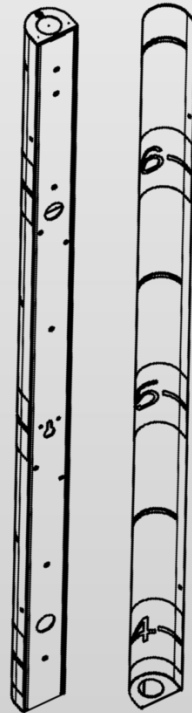
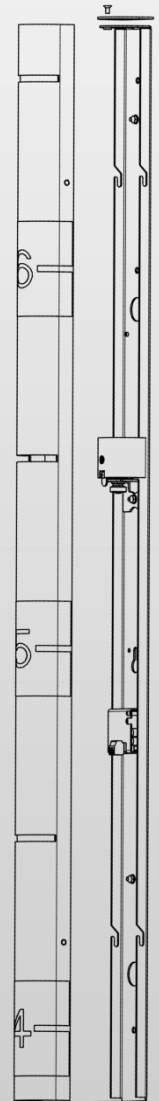
Height Marker Cameras can be coupled with ceiling - mounted CCTV cameras to augment any businesses' surveillance capabilities. The ceiling cameras capture the subject's height as he or she passes the highly visible height marker, while the camera inside captures facial images. When height marker tape is installed without an on - board camera, there is a high risk of failing to capture quality facial images of subjects wearing hats or hoods from standard positioned overhead cameras. The "X" model is available with no camera.

Refer to our [Specialty Camera](#) product line for camera details and a compatibility list. Contact our sales team for a quote to modify our design to accept your preferred camera. OEM services are available.

Dimensional Drawings



Exploded View



Models:

BHM-@#	Height Marker Camera, IP or 12VDC
BHM-B#-24	Height Marker Camera, 24VDC
BHM-X#	Height Marker Enclosure, No Camera

@ Refer to Ordering Code column of Specialty Camera Line (Compatible camera models A, B)

Faceplate color (B=Black, W=White, S=Silver)

Specifications:

Construction	Aluminum, Powder Coated
Environment	Indoor
Camera Lens Type	Pinhole
Door Frame Width	1.7" (4.3cm)
Input Voltage	12VDC Version: Adapter Provided 120VAC to 12VDC @ 0.5A Max
	24VAC Version: 2-post Screw Terminal Block Provided

All specifications are subject to change without notice.

© Broadsight Systems, Inc. All Rights Reserved. 05/19