

# BDF Series

## Door Frame Cameras



### Features

- Two piece construction for easy installation
- Fits most standard door frames (mullions)
- Durable aluminum construction
- Curved surface with 180° FOV adjustment
- 24VAC option available
- Available in white, black or silver (call for custom colors)

### Models:

BDF-@#	Door Frame Camera, IP or Analog (12VDC)
BDF-B#-24	Door Frame Camera, Analog (24VAC)
BDF-X#	Door Frame Enclosure, No Camera

@ Refer to Ordering Code column of Specialty Camera Line (Compatible camera models A, B)

# Faceplate color (B=Black, W=White, S=Silver)

### Specifications:

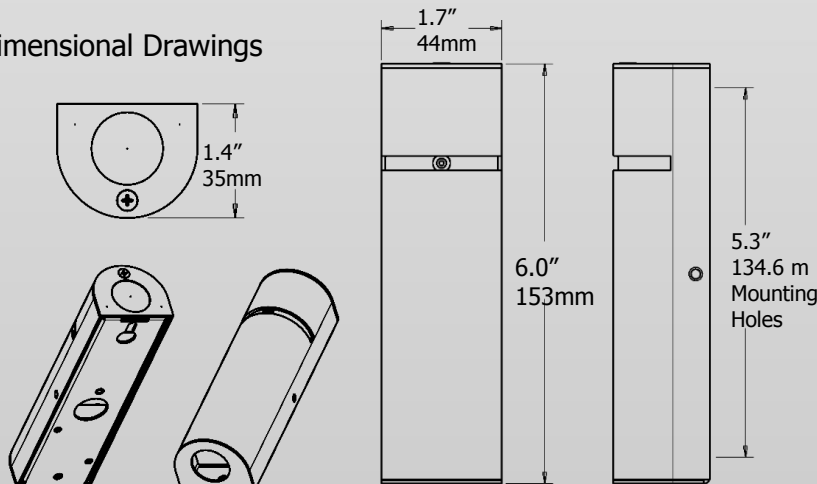
Construction	Aluminum, Powder Coated
Environment	Indoor
Camera Lens Type	Pinhole
Door Frame Width	1.7" (4.3cm)
Input Voltage	12VDC Version: Adapter Provided 120VAC to 12VDC @ 0.5A Max
	24VAC Version: 2-post Screw Terminal Block Provided

The BDF series is designed with ease of installation and high adjustability in mind. The curved front surface of the unit allows the camera to be rotated left and right of center for site-specific adjustments to capture the desired field of view. Sized to fit most standard door frames (1.7" width), and with cable egress through the top, bottom, or rear conduit knockouts, these units can be installed in a wide variety of locations. The low profile depth of 1 3/8-inches provides a minimum protrusion from the mounting surface.

The BDF cameras can be coupled with ceiling mounted CCTV cameras to augment any site or location's surveillance capabilities. These cameras can be unobtrusively located to capture quality facial images of subjects even when wearing a hat or hood. The "X" model is available with no camera.

Refer to our [Specialty Camera](#) product line for camera details and a compatibility list. Contact our sales team for a quote to modify our design to accept your preferred camera. OEM services are available.

### Dimensional Drawings



### Exploded View

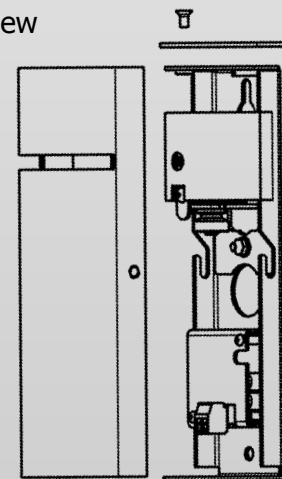


Figure 1 - BDx-24 Shown

All specifications are subject to change without notice.

© BroadSight Systems, Inc. All Rights Reserved. 06/19